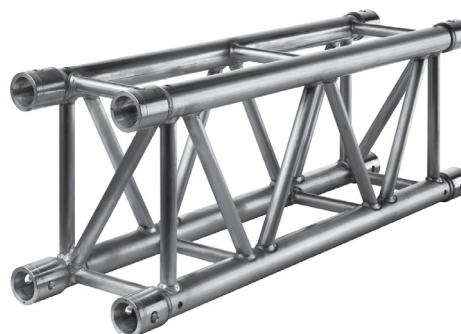
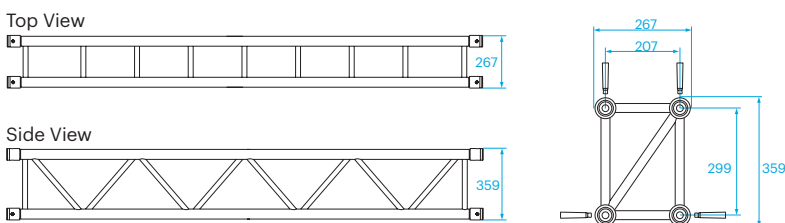


PRODUCT DATA SHEET

S36 Series truss is constructed of main chords (50 x 4 mm) and diagonal members (25 x 3 mm), and uses the CCS7 coupling system. Prolyte supplies a variety of S36 truss elements that provide maximum flexibility, including standard or custom-made lengths, circles and arches and several types of corners. Prolyte can create custom-made pieces on request.

The S36V has 4-sided diagonal webbing and can therefore handle vertical as well as horizontal loads. The S36R can handle only vertical loading. Thanks to the clever spigot pin orientation in the couplers, assembly of the truss is easy.

S36R



Technical Specifications - S36 Series

Types	Rectangular (R), Square (V)
Alloy	EN AW 6082 T6
Main Chords	50 x 4 mm
Diagonal Members	25 x 3 mm
Coupling System	CCS7

Structural data can be found at www.prolyte.com

S36 Series - Standard available Lengths and Codes

Metres	Feet	Code*
0,50	1.64	S36--L050
0,60	1.97	S36--L060
0,80	2.62	S36--L080
1,00	3.28	S36--L100
1,20	3.94	S36--L120
1,50	4.92	S36--L150
1,60	5.25	S36--L160
2,00	6.56	S36--L200
2,40	7.87	S36--L240
2,50	8.20	S36--L250
3,00	9.84	S36--L300
3,20	10.50	S36--L320
4,00	13.12	S36--L400

*on • indicate R for Rectangular, V for Square truss.

Example: S36V-L200

S36R RECTANGULAR SERIE TRUSS



S36R - Allowable Loading

SPAN		Uniformly Distributed Load		DEFLECTION		MAXIMUM ALLOWABLE POINT LOADS										SPAN
						Centre Point Load		Single Load Third Points Load per Point		Single Load Fourth Points Load per Point		Single Load Fifth Points Load per Point				
m	ft	kg/m	lbs/ft	mm	inch	kgs	lbs	mm	inch	kgs	lbs	kgs	lbs	kgs	lbs	total weight
3	9,8	1533,6	1031,9	8	0,3	2270,5	5011,1	7	0,3	1471,3	3247,1	1167,6	2576,9	979,3	2161,4	31,5
4	13,1	1147,8	772,3	15	0,6	1874,3	4136,6	12	0,5	1217,2	2686,4	996,5	2199,2	822,7	1815,8	42,0
5	16,4	863,7	581,1	23	0,9	1593,3	3516,5	18	0,7	1055,9	2330,3	881,6	1945,7	693,7	1531,0	52,5
6	19,7	596,9	401,6	33	1,3	1383,3	3052,9	26	1,0	930,9	2054,6	780,4	1722,4	598,6	1321,0	63,0
7	23,0	436,0	293,4	45	1,8	1219,9	2692,3	36	1,4	831,2	1834,4	678,0	1496,3	525,4	1159,6	73,5
8	26,2	331,6	223,1	58	2,3	1088,9	2403,2	47	1,8	749,5	1654,1	598,0	1319,8	467,3	1031,2	84,0
9	29,5	260,0	175,0	74	2,9	981,3	2165,7	59	2,3	681,2	1503,5	533,7	1177,9	419,8	926,5	94,5
10	32,8	208,8	140,5	91	3,6	891,1	1966,7	73	2,9	623,2	1375,5	480,8	1061,1	380,3	839,3	105,0
11	36,1	170,9	115,0	111	4,4	814,3	1797,1	88	3,5	573,3	1265,2	436,4	963,1	346,8	765,4	115,5
12	39,4	142,1	95,6	132	5,2	747,9	1650,6	105	4,1	529,6	1168,9	398,5	879,4	318,0	701,8	126,0
13	42,6	119,7	80,5	154	6,1	689,8	1522,5	124	4,9	491,2	1084,0	365,7	807,0	292,9	646,4	136,5
14	45,9	101,9	68,6	179	7,0	638,5	1409,2	143	5,6	456,9	1008,4	336,9	743,6	270,8	597,7	147,0
15	49,2	87,6	58,9	206	8,1	592,7	1308,1	164	6,5	426,2	940,6	311,5	687,6	251,1	554,3	157,5
16	52,5	75,8	51,0	234	9,2	551,5	1217,2	187	7,4	398,4	879,2	288,9	637,5	233,5	515,3	168,0
17	55,8	66,1	44,5	264	10,4	514,2	1134,8	211	8,3	373,0	823,2	268,4	592,5	217,6	480,1	178,5
18	59,0	57,9	39,0	296	11,7	480,1	1059,6	237	9,3	349,8	772,0	249,9	551,6	203,0	448,1	189,0
19	62,3	51,0	34,3	330	13,0	448,9	990,7	264	10,4	328,4	724,7	233,0	514,3	189,8	418,8	199,5
20	65,6	45,1	30,4	365	14,4	420,0	927,0	292	11,5	308,6	681,0	217,5	480,1	177,5	391,8	210,0

1 inch = 25,4 mm | 1m = 3.28 ft | 1 lbs = 0,453 kg



- Tuv certification only valid for loading table above.
- Loading figures are only valid for static loads.
- Loading figures are only valid for single spans with supports at both ends.
- All static systems, other than single spans, need an individual structural calculation. Please contact a structural engineer or Prolyte for assistance.
- Loading figures are calculated according to and in full compliance with European standards (Eurocode).
- The self-weight of the trusses is already taken into account.
- Loading figures are only valid for the cross sectional orientation of the truss as shown by the icon in the loading table.
- The interaction between bending moment and shear force at the connection point is already taken into account.
- Truss spans can be assembled from different truss lengths.
- Read the manual before assembling, using and loading the truss.