



User Manual

www.doughty-engineering.co.uk

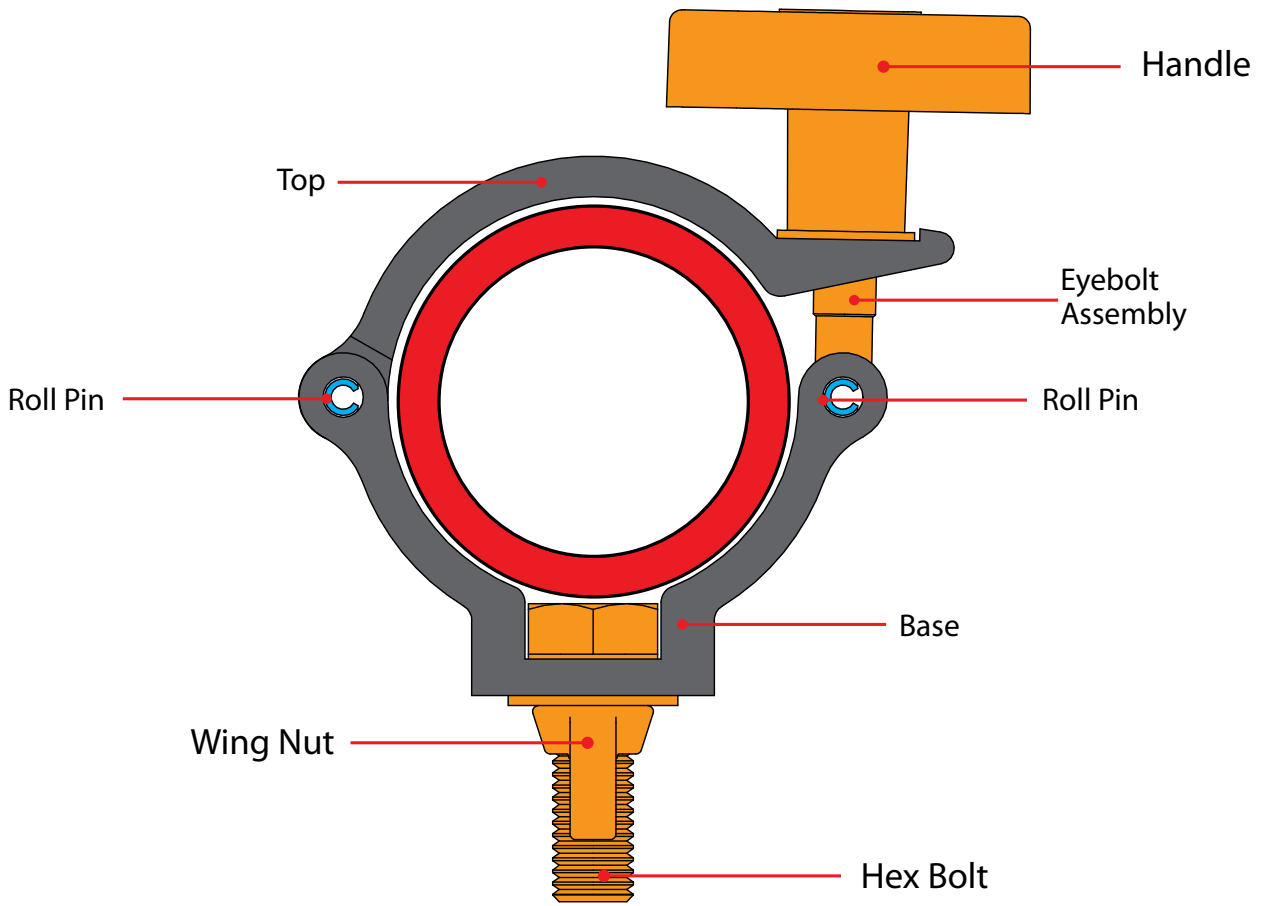
T58122 / T5812201 Super Lightweight Hook Clamp



Version 02/11

www.doughty-engineering.co.uk

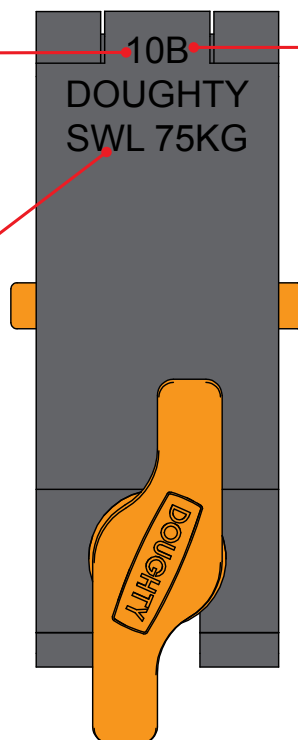
NB: The TUV Certificate endorses T58122 Polished coupler only.



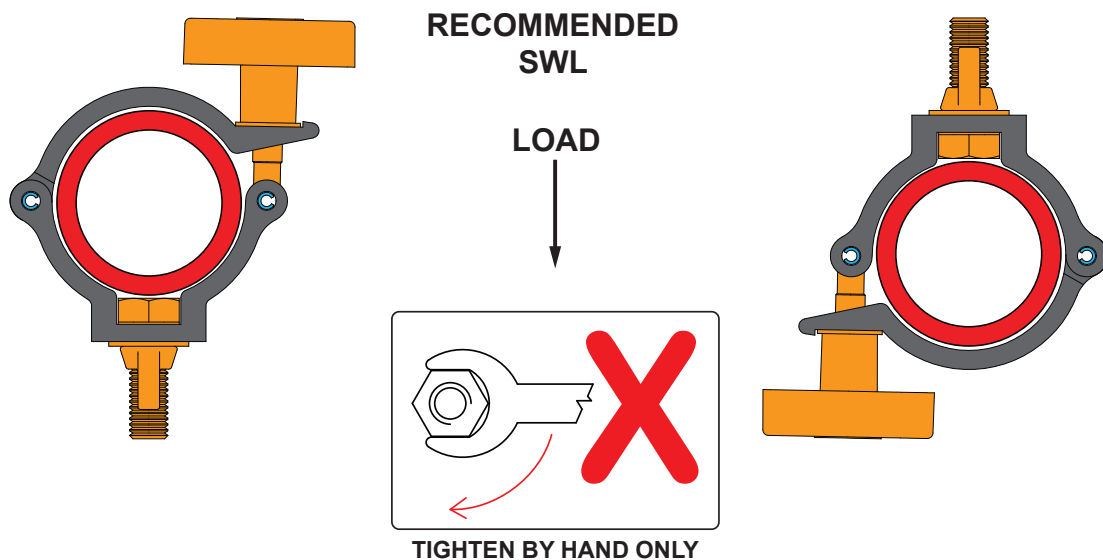
Year of Manufacturer
i.e. - 09 = 2009
10 = 2010
11 = 2011

Month of Manufacturer
i.e. - A = Jan
B = Feb
C = March

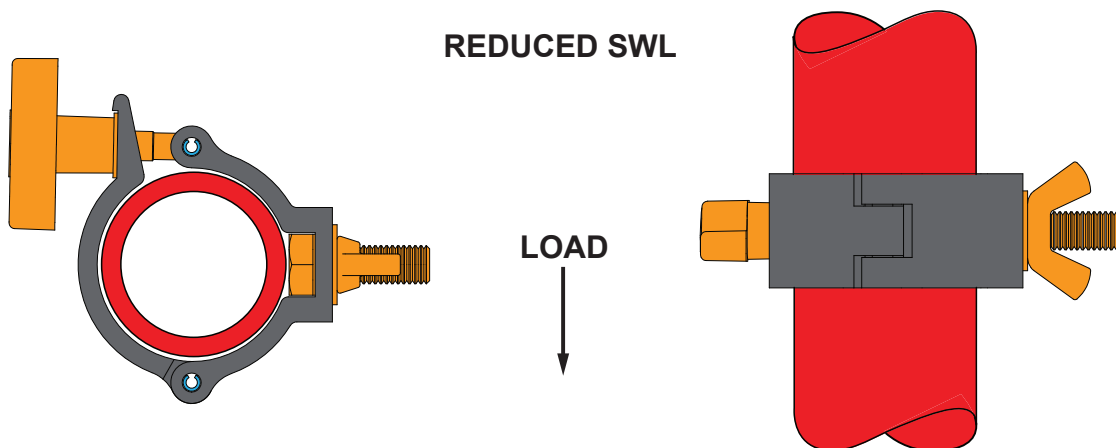
Safe Working Load





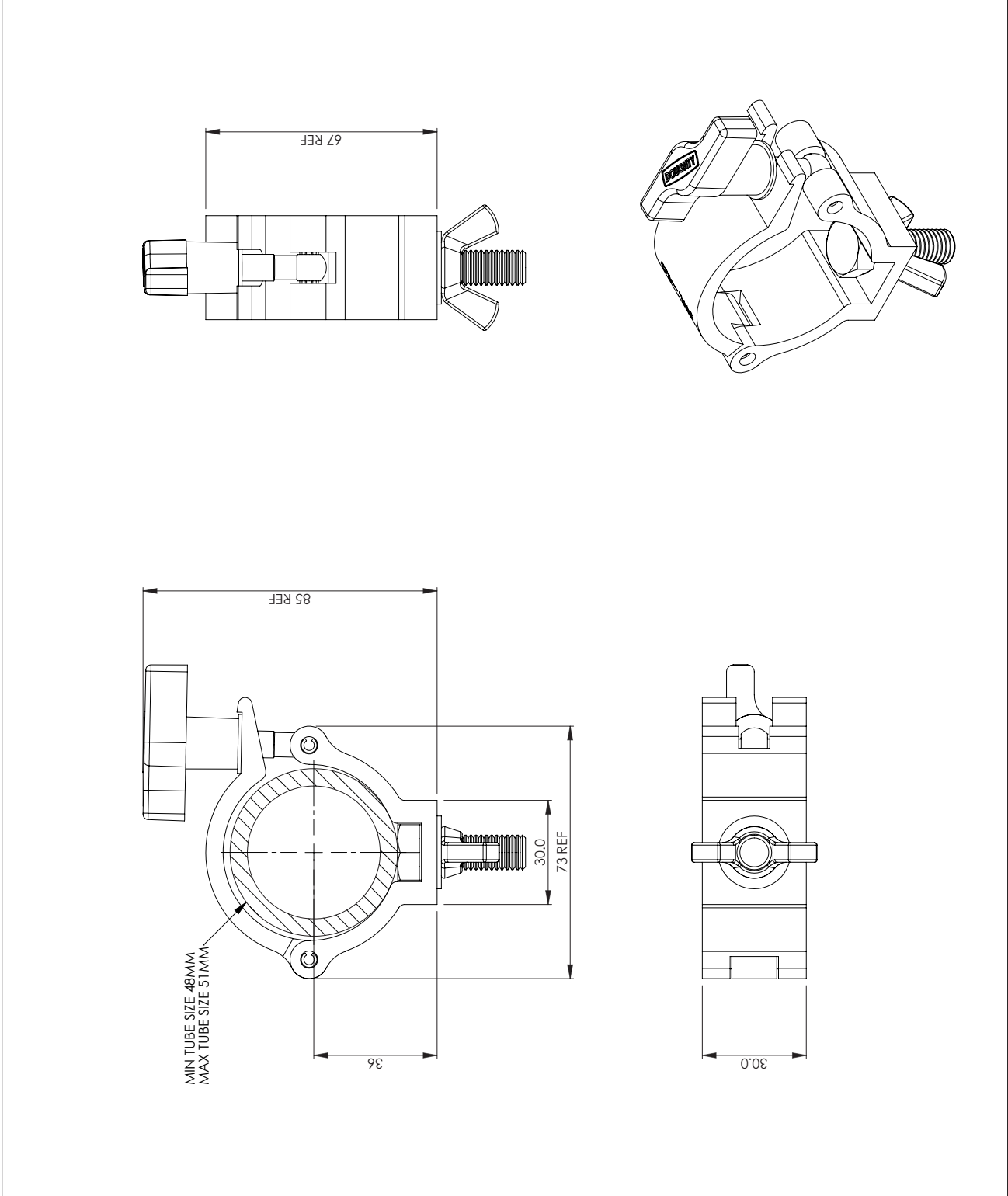
1. Never exceed the Safe Working Load (SWL) shown on the clamp.
2. Only use the clamp within the designed tube parameters (48-51mm)
3. All clamps should be visually inspected before use. In the event of any damage the clamp should be taken out of service and returned to an 'Approved Doughty Service Agent' for inspection. (see our dealer locator on our web site for a comprehensive list of Authorised Service Agents)
4. When used in conjunction with other accessories, care must be taken to ensure that the minimum SWL of any component is not exceeded.
5. Doughty Engineering Ltd does not recommend using any clamps which do not fully encompass the tube for overhanging. All open clamps including hookclamps should be used in a vertical orientation only.

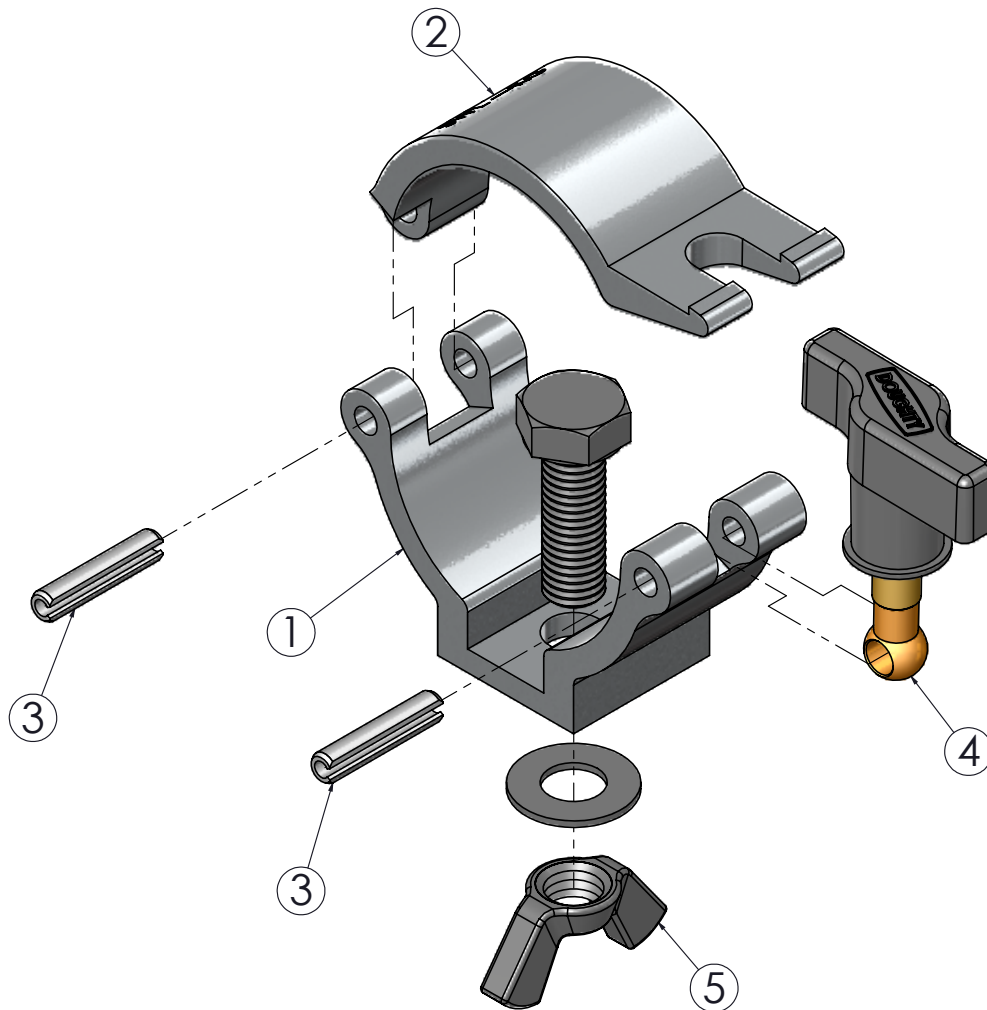


THE FOLLOWING APPLICATIONS WILL RESULT IN THE RECOMMENDED SWL BEING REDUCED DEPENDANT ON THE TUBE SURFACE FINISH & TORQUE SETTINGS APPLIED. PROOF LOADING ON INSTALLATIONS IS RECOMMENDED.



 DOUGHTY ENGINEERING LTD	<h3>DATA SHEET</h3>	TITLE: SUPER LIGHTWEIGHT HOOK CLAMP	PART NOS: T58122 - SILVER T5812201 - BLACK	MATERIAL : ALUMINIUM	WEIGHT: 0.18 KG	SWL: 75 KG	FINISH: T58122 - POLISHED T5812201 - POWDER PAINTED BLACK	NOTES: MIN TUBE SIZE - 48MM MAX TUBE SIZE - 51MM	<p style="text-align: center;">STRICTLY FOR REFERENCE PURPOSES ONLY</p>	 THIRD ANGLE PROJECTION
--------------------------------------------------------------------------------------------------------------	---------------------	-------------------------------------	--------------------------------------------------	-------------------------	--------------------	---------------	-----------------------------------------------------------------	--------------------------------------------------------	--------------------------------------------------------------------------------	---------------------------------------------------------------------------------------------------------------





DOUGHTY PRODUCTS MUST ONLY BE SERVICED / REPAIRED BY
AN AUTHORISED SERVICE AGENT.
SPARE PARTS ARE ONLY AVAILABLE TO THESE AGENTS

ITEM NO.	PART NUMBER	DESCRIPTION	Default/QTY.
1	TH651	MACHINED SUPER LIGHTWEIGHT CLAMP BASE	1
2	TH376	MACHINED SUPER LIGHTWEIGHT CLAMP TOP	1
3	F771	M5 x 25 Stainless Steel Roll Pin	2
4	T78020	M8 X 35 DOUGHTY EYEBOLT ASSY	1
5	F2635	SLW COUPLER FIXING KIT	1

T58122 - DOUGHTY SUPER LIGHTWEIGHT HOOK CLAMP



NOT TO SCALE

DRAWN	AW
DATE	22/02/2011
Rev	1



Doughty Engineering Limited

CROW ARCH LANE, RINGWOOD, HANTS, BH24 1NZ. ENGLAND
Telephone: +44 (0) 1425 478961 Fax: +44 (0) 1425 474481
www.doughty-engineering.co.uk
email:sales@doughty-engineering.co.uk

EC DECLARATION OF CONFORMITY

Doughty Engineering Limited hereby certify that the equipment stated below has been designed to comply with all relevant sections of the specifications referenced below and complies with all the applicable Essential Requirements of the EC Directives and amendments and the National Laws and Regulations adopting these Directives.

Description: Doughty Super Lightweight Hook Clamp

Model/s: Part No. T58122 / T5812201

SWL: 75Kg **Factor:** 5:1

are in conformity with the provision of the following EC Directives:

MACHINERY DIRECTIVE 98/37/EC

Harmonised Standards applied:

EN 292-1-2:1991

BS EN ISO 9001:1994

Safety Tested: DIN 31000 03.79

Safety Tested: DIN EN 74 12.88

National Technical Standards & Specifications applied:

BS 7905-1:2001

Signed:  Date:23-04-08

Name: Nigel Curtis Position: Technical Director

Being the responsible person appointed by the manufacturer.



DEQ 083 Rev 4

Company Registration No. London 972614
Registered Office: Crow Arch Lane, Ringwood, Hants, BH24 1NZ
Directors: M.B.Lister. J.C.G. Chiverton. N.D. Curtis. S.C. Wright



Certificate

No: B 99 10 20319 008



Doughty Engineering Ltd.

Crow Arch Lane
Ringwood, Hampshire BH24 1NZ
Great Britain

with production facilities
20319

is authorized to label the following products with the
certification mark E
as shown in the certification mark list. See also notes overleaf.

Product: Coupler

Model: Numbers : T5B122

Parameters: T5B122 :
Standard Weight Limit : 75 Kg
Width : 30mm
Weight : 0.18 Kg
Tube Diameter : 48-51mm

The product meets the relevant safety requirements and was tested
according to:

EN60950/A11:1997
DIN 31000:1979
DIN EN 74:1988 (in Anlehnung)



Report No: GJ606429/01

A handwritten signature in blue ink, appearing to read 'Brian Horne', written over a horizontal line.

Released with the above certificate number by the
certification body of TÜV PRODUCT SERVICE GMBH.

Department: TFDEMA / BH
Date: 10-20-99

TÜV PRODUCT SERVICE GMBH Zertifizierstelle Ridlerstrasse 31 D-80339 München



Doughty Engineering Ltd

Crow Arch Lane

Ringwood, Hampshire, BH24 1NZ

Tel: +44 (0) 1425 478961 Fax: +44 (0) 1425 474481

email: sales@doughty-engineering.co.uk

Web: www.doughty-engineering.co.uk

Note: Whilst every effort has been made to ensure that the information contained within this manual is correct, Doughty Engineering does not accept any liability for errors or omissions. Specifications and technical data are intended for guidance purposes only and may vary.