



User Manual

www.doughty-engineering.co.uk

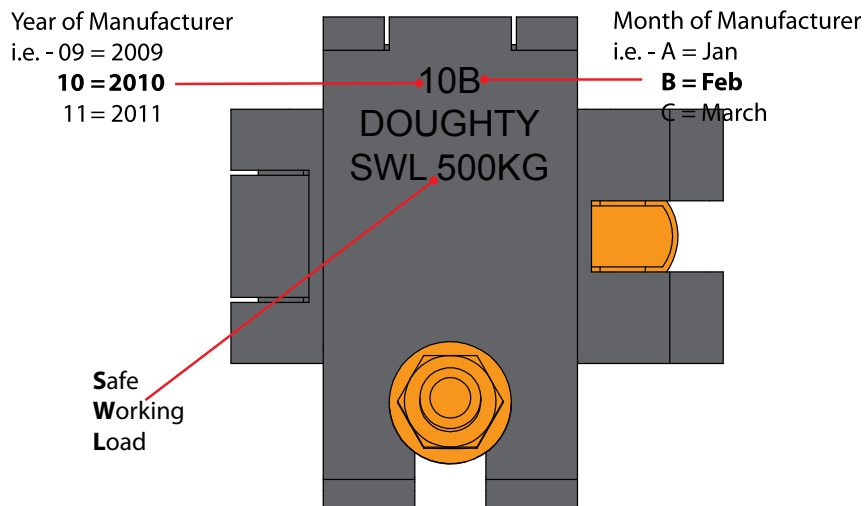
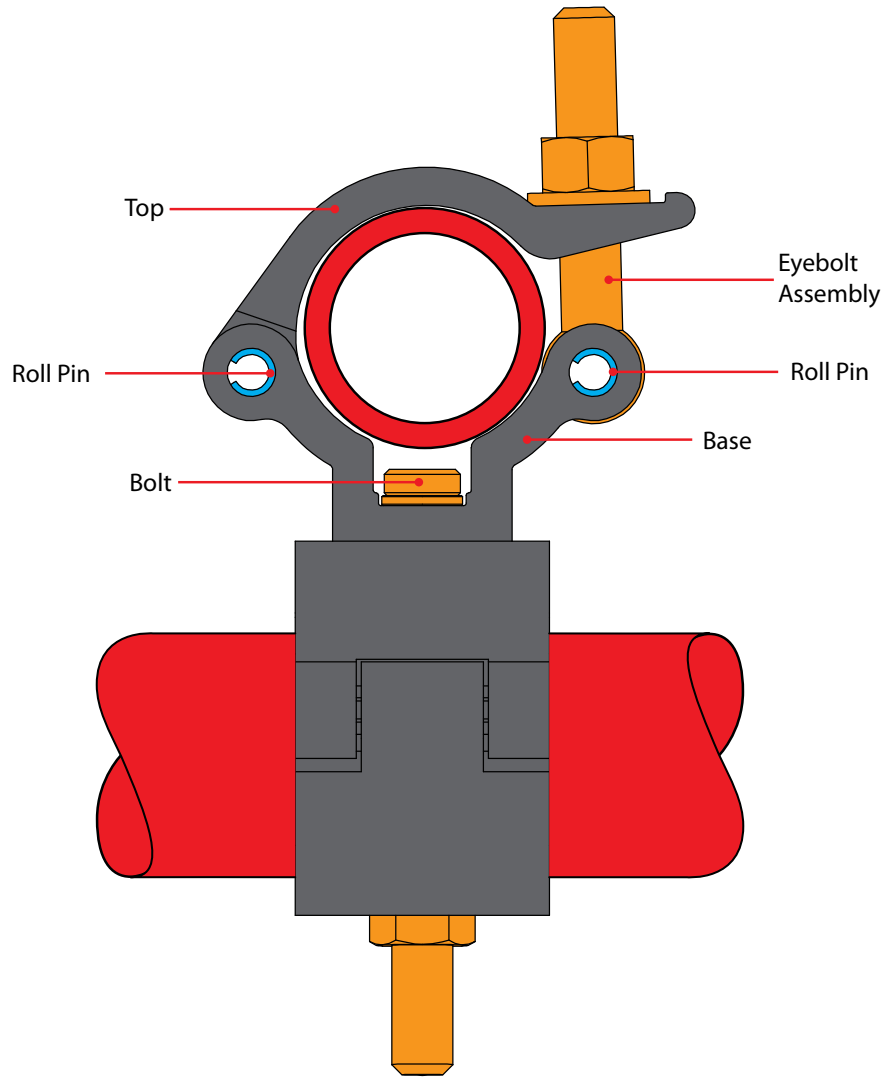
T58110/11 Lightweight 90° Fixed Coupler



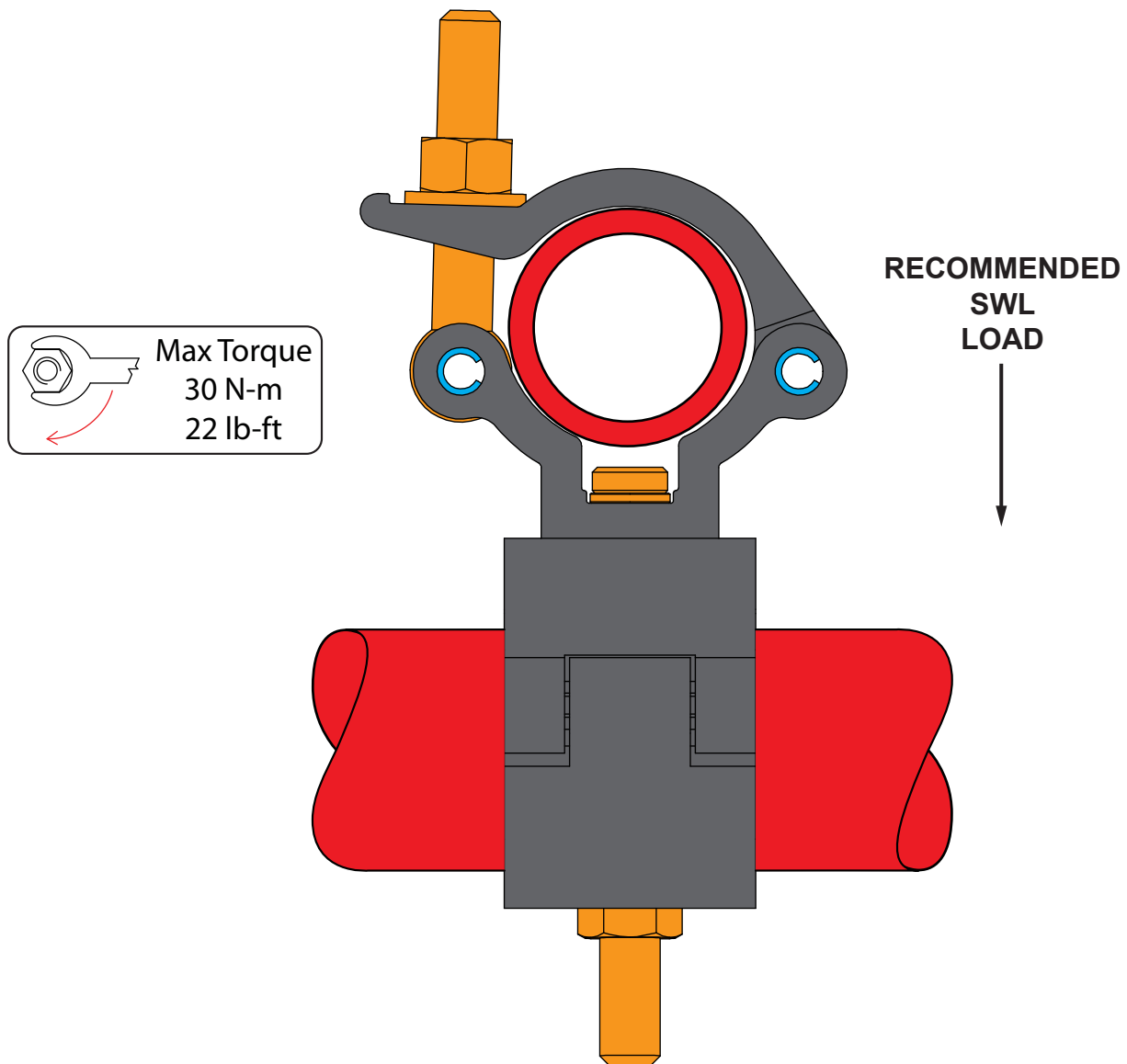
Version 02/11



www.doughty-engineering.co.uk



1. Never exceed the Safe Working Load (SWL) shown on the clamp.
2. Only use the clamp within the designed tube parameters (48-51mm)
3. All clamps should be visually inspected before use. In the event of any damage the clamp should be taken out of service and returned to an 'Approved Doughty Service Agent' for inspection. (see our dealer locator on our web site for a comprehensive list of Authorised Service Agents)
4. When used in conjunction with other accessories, care must be taken to ensure that the minimum SWL of any component is not exceeded.
5. Doughty Engineering Ltd does not recommend using any clamps which do not fully encompass the tube for overhanging. All open clamps including hookclamps should be used in a vertical orientation only.





DOUGHTY ENGINEERING LTD

DATA SHEET

TITLE: DOUGHTY L/W 90° FIXED COUPLER

PART NOS: T58110

MATERIAL : ALUMINIUM

WEIGHT: 0.76 KG

SWL: 500 KG

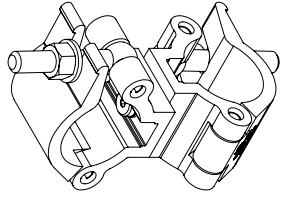
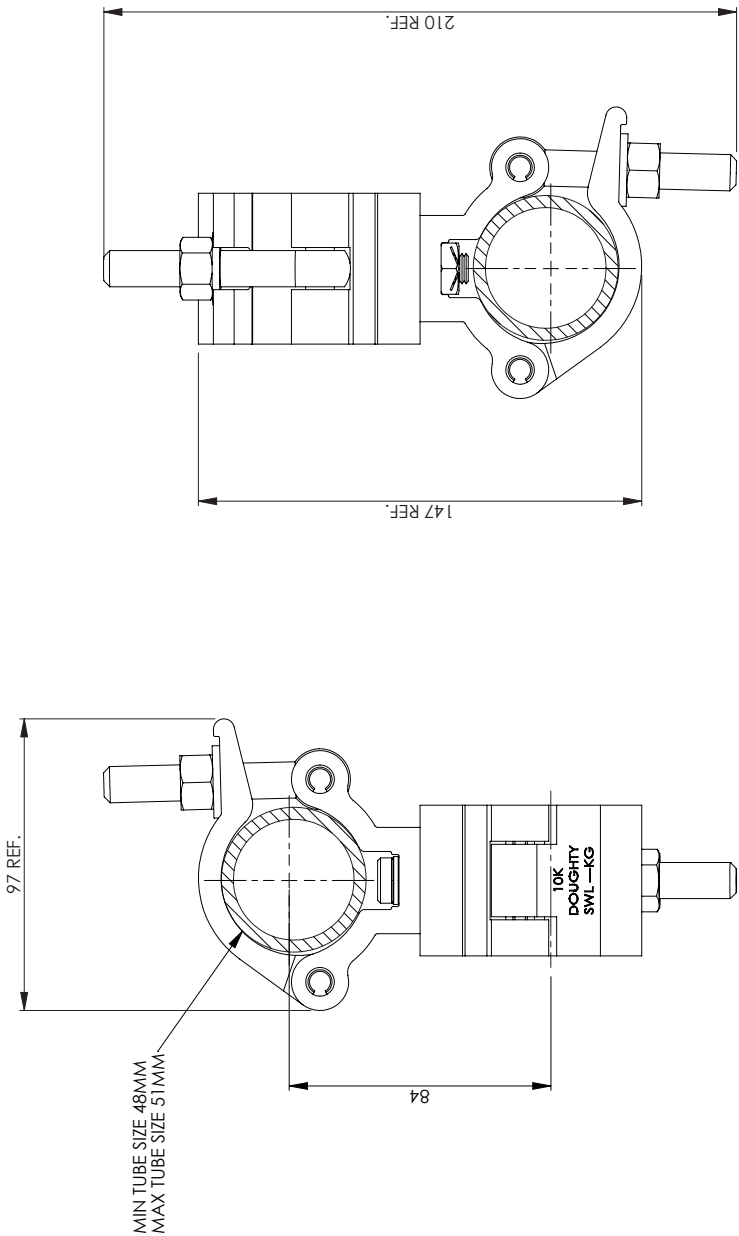
FINISH: POLISHED

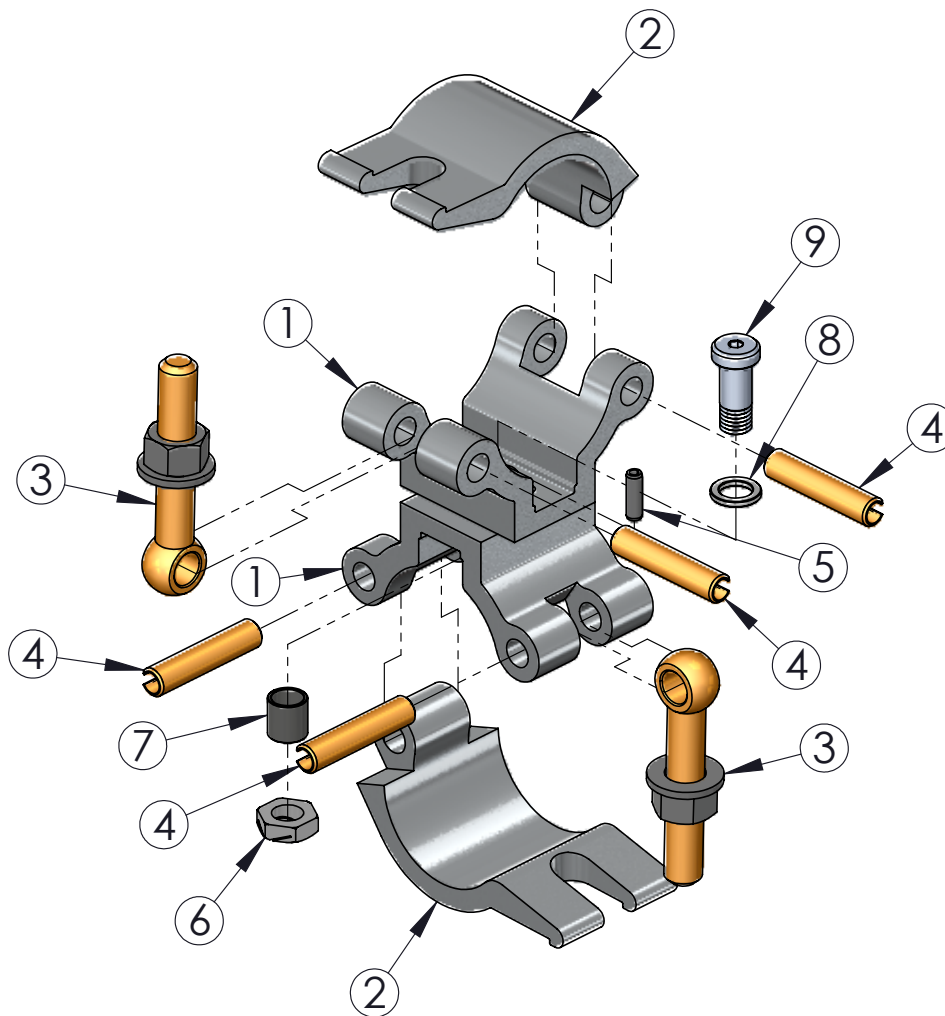
NOTES:
PARALLEL AND 90 DEGREE FIXED VERSIONS ARE AVAILABLE

STRICTLY FOR REFERENCE PURPOSES ONLY



THIRD ANGLE PROJECTION





DOUGHTY PRODUCTS MUST ONLY BE SERVICED / REPAIRED BY
AN AUTHORISED SERVICE AGENT.
SPARE PARTS ARE ONLY AVAILABLE TO THESE AGENTS

ITEM NO.	PART NUMBER	DESCRIPTION	Spares/QTY.
1	TH640	MACHINED L/W DOUGHTY CLAMP BASE	2
2	TH257	MACHINED L/W DOUGHTY CLAMP TOP	2
3	T78005	M12 X 70 EYEBOLT ASSEMBLY	2
4	F790	0.375" X 1.75" STAINLESS STEEL ROLL PIN	4
5	F770	M5 x 16 Roll Pin S/Colour	1
6	F888	M10 BINX NUT BZP REDUCED	1
7	F997	LIGHTWEIGHT CLAMP SPACER TUBE	1
8	TH1082	M10 ALUMINIUM WASHER - S1931	1
9	F995	M10 x 25 REDUCED HEAD SOCKET CAP	1

T58110 - DOUGHTY L/W 90° FIXED COUPLER

	DRAWN	AW
	DATE	01/02/2011
	Rev	1

NOT TO SCALE



Doughty Engineering Limited

CROW ARCH LANE, RINGWOOD, HANTS, BH24 1NZ. ENGLAND

Telephone: +44 (0) 1425 478961 Fax: +44 (0) 1425 474481

www.doughty-engineering.co.uk

email:sales@doughty-engineering.co.uk

EC DECLARATION OF CONFORMITY

Doughty Engineering Limited hereby certify that the equipment stated below has been designed to comply with all relevant sections of the specifications referenced below and complies with all the applicable Essential Requirements of the EC Directives and amendments and the National Laws and Regulations adopting these Directives.

Description: Lightweight Fixed Coupler

Model/s: Part No. T58110 / T58111

SWL: 500Kg **Factor:** 5:1

are in conformity with the provision of the following EC Directives:

MACHINERY DIRECTIVE 98/37/EC


Harmonised Standards applied:

EN 292-1-2:1991

BS EN ISO 9001:1994

National Technical Standards & Specifications applied:

BS 7905-1:2001

Signed:  Date:23-04-08

Name: Nigel Curtis Position: Technical Director

Being the responsible person appointed by the manufacturer.



DEQ 083 Rev 4

Company Registration No. London 972614
Registered Office: Crow Arch Lane, Ringwood, Hants, BH24 1NZ
Directors: M.B.Lister. J.C.G. Chiverton. N.D. Curtis. S.C. Wright





Doughty Engineering Ltd

Crow Arch Lane

Ringwood, Hampshire, BH24 1NZ

Tel: +44 (0) 1425 478961 Fax: +44 (0) 1425 474481

email: sales@doughty-engineering.co.uk

Web: www.doughty-engineering.co.uk

Note: Whilst every effort has been made to ensure that the information contained within this manual is correct, Doughty Engineering does not accept any liability for errors or omissions. Specifications and technical data are intended for guidance purposes only and may vary.