



# User Manual

[www.doughty-engineering.co.uk](http://www.doughty-engineering.co.uk)

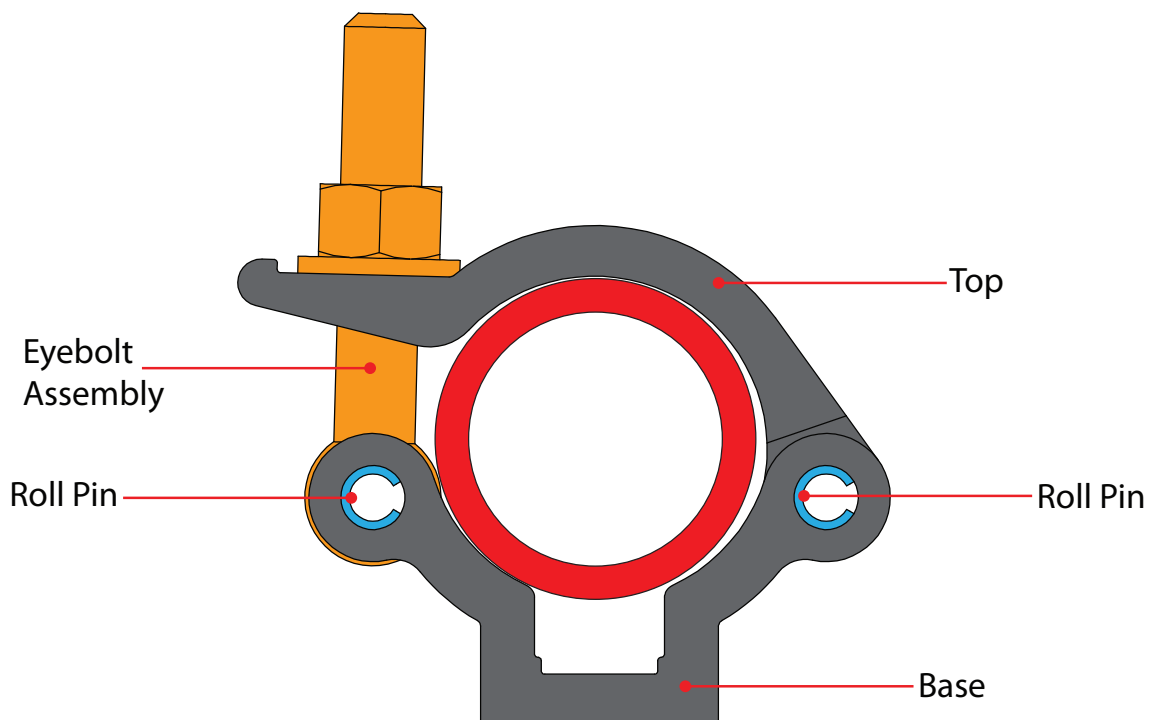
## Lightweight Half Coupler T58100/01



Version 02/11

[www.doughty-engineering.co.uk](http://www.doughty-engineering.co.uk)

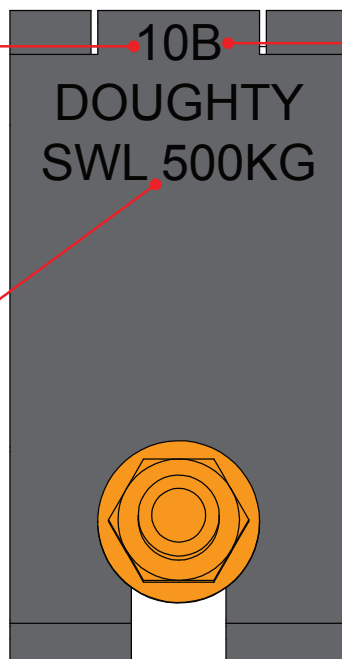
NB: The TUV Certificate endorses T58100 Polished coupler only.



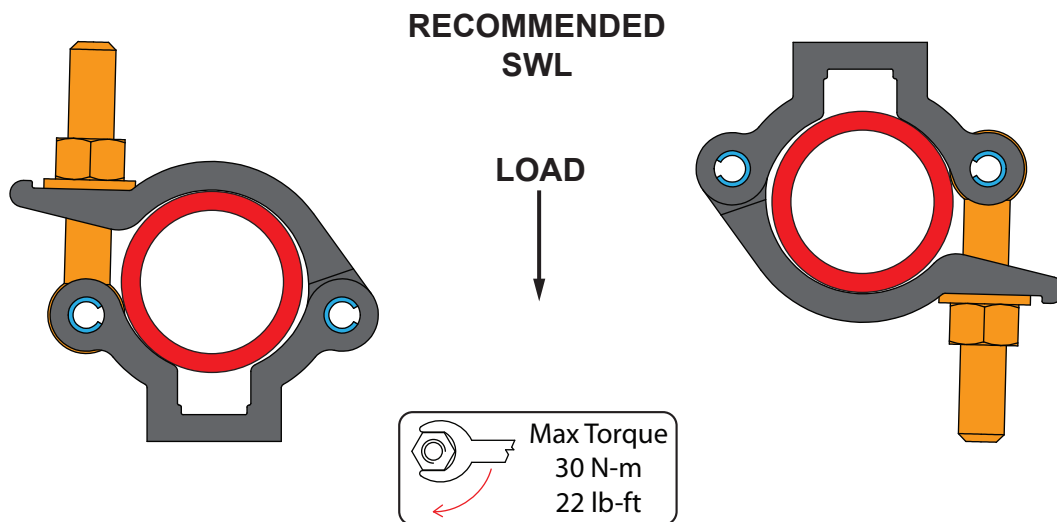
Year of Manufacturer  
i.e. - 09 = 2009  
**10 = 2010**  
11 = 2011

Month of Manufacturer  
i.e. - A = Jan  
**B = Feb**  
C = March

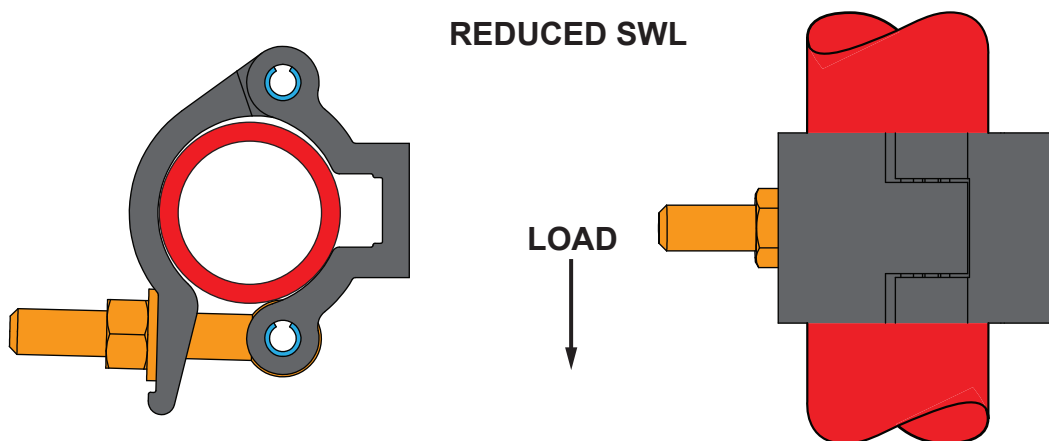
Safe  
Working  
Load



1. Never exceed the Safe Working Load (SWL) shown on the clamp.
2. Only use the clamp within the designed tube parameters (48-51mm)
3. All clamps should be visually inspected before use. In the event of any damage the clamp should be taken out of service and returned to an 'Approved Doughty Service Agent' for inspection. (see our dealer locator on our web site for a comprehensive list of Authorised Service Agents)
4. When used in conjunction with other accessories, care must be taken to ensure that the minimum SWL of any component is not exceeded.
5. Doughty Engineering Ltd does not recommend using any clamps which do not fully encompass the tube for overhanging. All open clamps including hookclamps should be used in a vertical orientation only.



THE FOLLOWING APPLICATIONS WILL RESULT IN THE RECOMMENDED SWL BEING REDUCED DEPENDANT ON THE TUBE SURFACE FINISH & TORQUE SETTINGS APPLIED. PROOF LOADING ON INSTALLATIONS IS RECOMMENDED.





DOUGHTY ENGINEERING LTD

**DATA SHEET**

TITLE: DOUGHTY L/W HALF COUPLER 50MM

PART NOS:  
T58100 - SILVER  
T58101 - BLACK

MATERIAL :

WEIGHT: 0.34 KG

SWL: 500 KG

FINISH:  
T58100 - POLISHED  
T58101 - POWDER PAINTED BLACK

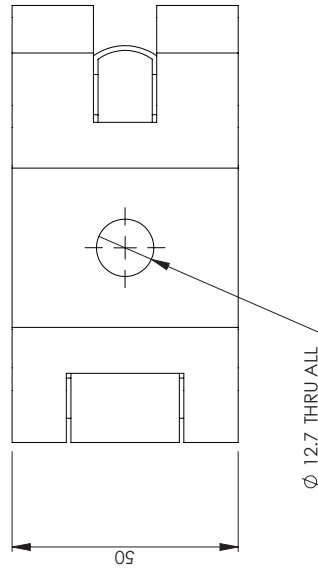
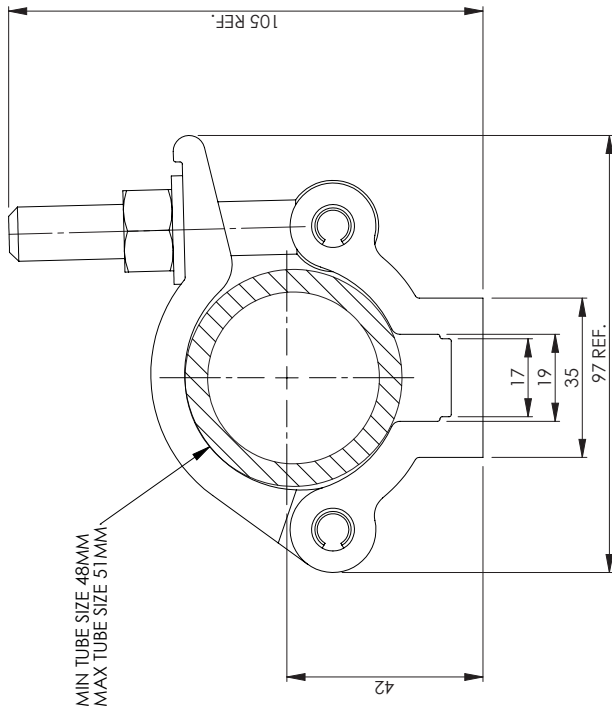
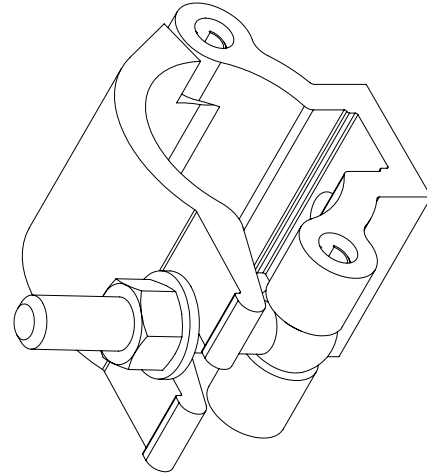
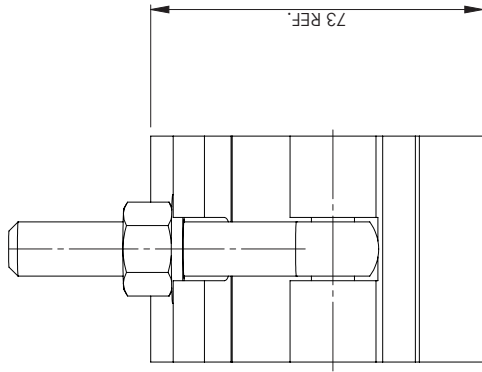
NOTES:

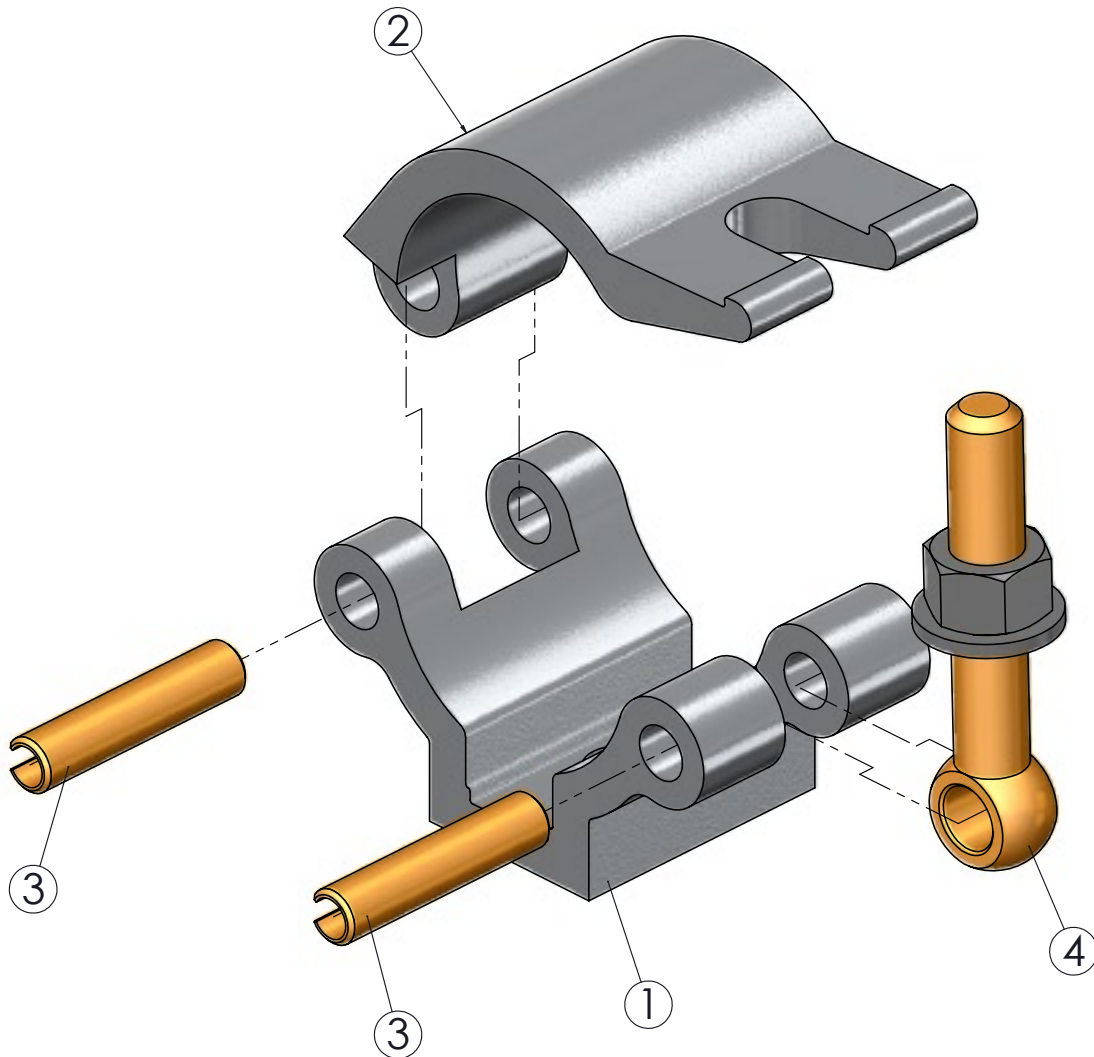
MIN TUBE SIZE - 48MM  
MAX TUBE SIZE - 51MM

**STRICTLY FOR REFERENCE PURPOSES ONLY**



THIRD ANGLE PROJECTION





DOUGHTY PRODUCTS MUST ONLY BE SERVICED / REPAIRED BY  
 AN AUTHORISED SERVICE AGENT.  
 SPARE PARTS ARE ONLY AVAILABLE TO THESE AGENTS

ITEM NO.	PART NUMBER	DESCRIPTION	Spares/QTY.
1	TH640	MACHINED L/W DOUGHTY CLAMP BASE	1
2	TH257	MACHINED L/W DOUGHTY CLAMP TOP	1
3	F790	0.375" X 1.75" STAINLESS STEEL ROLL PIN	2
4	T78005	M12 X 104 EYEBOLT ASSEMBLY	1

## T58100 - DOUGHTY L/W HALF COUPLER



NOT TO SCALE

DRAWN	AW
DATE	26/01/2011
Rev	1



**Doughty Engineering Limited**

CROW ARCH LANE, RINGWOOD, HANTS, BH24 1NZ. ENGLAND  
Telephone: +44 (0) 1425 478961 Fax: +44 (0) 1425 474481  
www.doughty-engineering.co.uk  
email:sales@doughty-engineering.co.uk

**EC DECLARATION OF CONFORMITY**

Doughty Engineering Limited hereby certify that the equipment stated below has been designed to comply with all relevant sections of the specifications referenced below and complies with all the applicable Essential Requirements of the EC Directives and amendments and the National Laws and Regulations adopting these Directives.

**Description:** Lightweight Half Coupler

**Model/s:** Part No. T58100 / T58101

**SWL:** 500Kg      **Factor:** 5:1

are in conformity with the provision of the following EC Directives:

MACHINERY DIRECTIVE 98/37/EC

**Harmonised Standards applied:**

EN 292-1-2:1991

BS EN ISO 9001:1994

Safety Tested: DIN 31000 03.79

Safety Tested: DIN EN 74 12.88

**National Technical Standards & Specifications applied:**

BS 7905-1:2001

Signed:

A handwritten signature in black ink, appearing to read "Nigel Curtis".

Date:23-04-08

Name: Nigel Curtis

Position: Technical Director

Being the responsible person appointed by the manufacturer.



DEQ 083 Rev 4

Company Registration No. London 972614  
Registered Office: Crow Arch Lane, Ringwood, Hants, BH24 1NZ  
Directors: M.B.Lister. J.C.G. Chiverton. N.D. Curtis. S.C. Wright



# Certificate

No: B 99 03 20319 004



Doughty Engineering Ltd.

Crow Arch Lane  
Ringwood, Hampshire BH24 1NZ  
Great Britain

with production facilities  
20319

is authorized to label the following products with the  
certification mark E  
as shown in the certification mark list. See also notes overleaf.

**Product:** Rohrkupplungen für mechanische Verbindung  
Half Couplers

**Model:** T58100 Lightweight

**Parameters:**

Max. load capacity:	500kg
Tube diameter:	50-50.8mm
Width:	50mm
Thickness of the bottom:	8mm
Material:	6082 (AlSi1MgMn)
Weight:	366g

The product meets the relevant safety requirements and was tested  
according to:

DIN 31000 03.79  
DIN EN 74 12.88 (in Anlehnung)

Report No: 01301602801, E - (B 97 02 20319 003)

Released with the above certificate number by the  
certification body of TÜV PRODUCT SERVICE GMBH.

**Department:** TFDEMA / MAS  
**Date:** 03-03-99

TÜV PRODUCT SERVICE GMBH · Zertifizierstelle · Ridlerstrasse 31 · D-80339 München





**Doughty Engineering Ltd**

Crow Arch Lane

Ringwood, Hampshire, BH24 1NZ

Tel: +44 (0) 1425 478961 Fax: +44 (0) 1425 474481

email: [sales@doughty-engineering.co.uk](mailto:sales@doughty-engineering.co.uk)

Web: [www.doughty-engineering.co.uk](http://www.doughty-engineering.co.uk)

Note: Whilst every effort has been made to ensure that the information contained within this manual is correct, Doughty Engineering does not accept any liability for errors or omissions. Specifications and technical data are intended for guidance purposes only and may vary.