



User Manual

www.doughty-engineering.co.uk

T57207

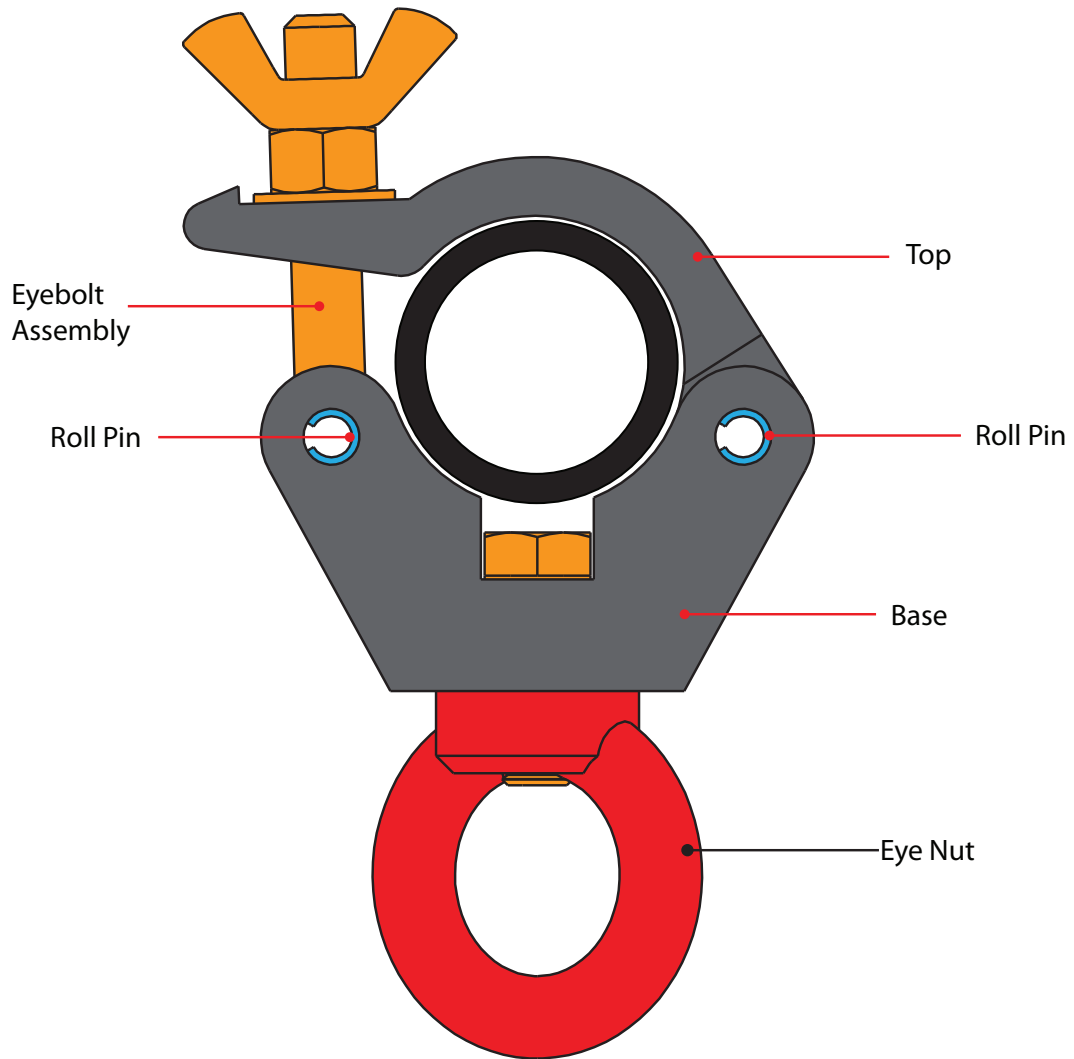
Doughty Standard Hanging Clamp



Version 01/11



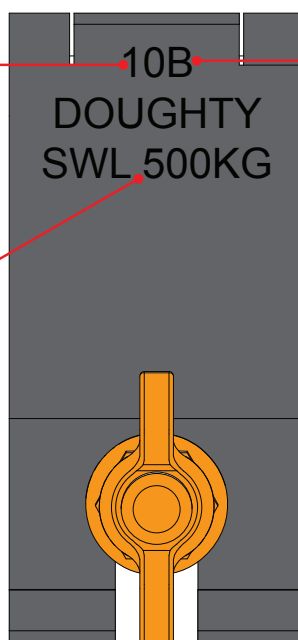
www.doughty-engineering.co.uk



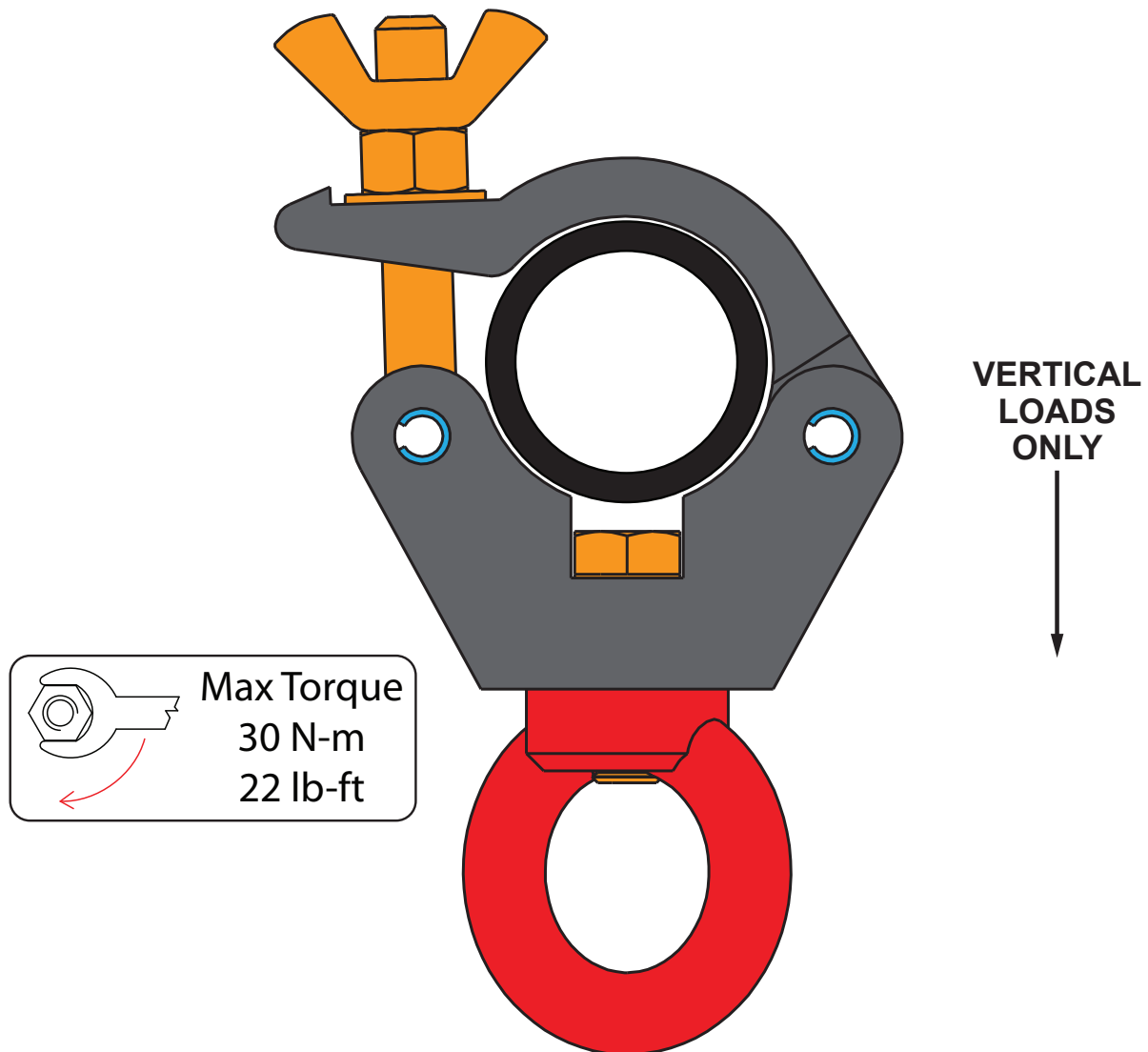
Year of Manufacturer
i.e. - 09 = 2009
10 = 2010
11 = 2011

Month of Manufacturer
i.e. - A = Jan
B = Feb
C = March

Safe
Working
Load



1. Never exceed the Safe Working Load (SWL) shown on the clamp.
2. Only use the clamp within the designed tube parameters (48-51mm)
3. All clamps should be visually inspected before use. In the event of any damage the clamp should be taken out of service and returned to an 'Approved Doughty Service Agent' for inspection. (see our dealer locator on our web site for a comprehensive list of Authorised Service Agents)
4. When used in conjunction with other accessories, care must be taken to ensure that the minimum SWL of any component is not exceeded.
5. Doughty Engineering Ltd does not recommend using any clamps which do not fully encompass the tube for overhanging. All open clamps including hookclamps should be used in a vertical orientation only.





DOUGHTY ENGINEERING LTD

DATA SHEET

TITLE: DOUGHTY HANGING CLAMP

PART NOS: T57207

MATERIAL :

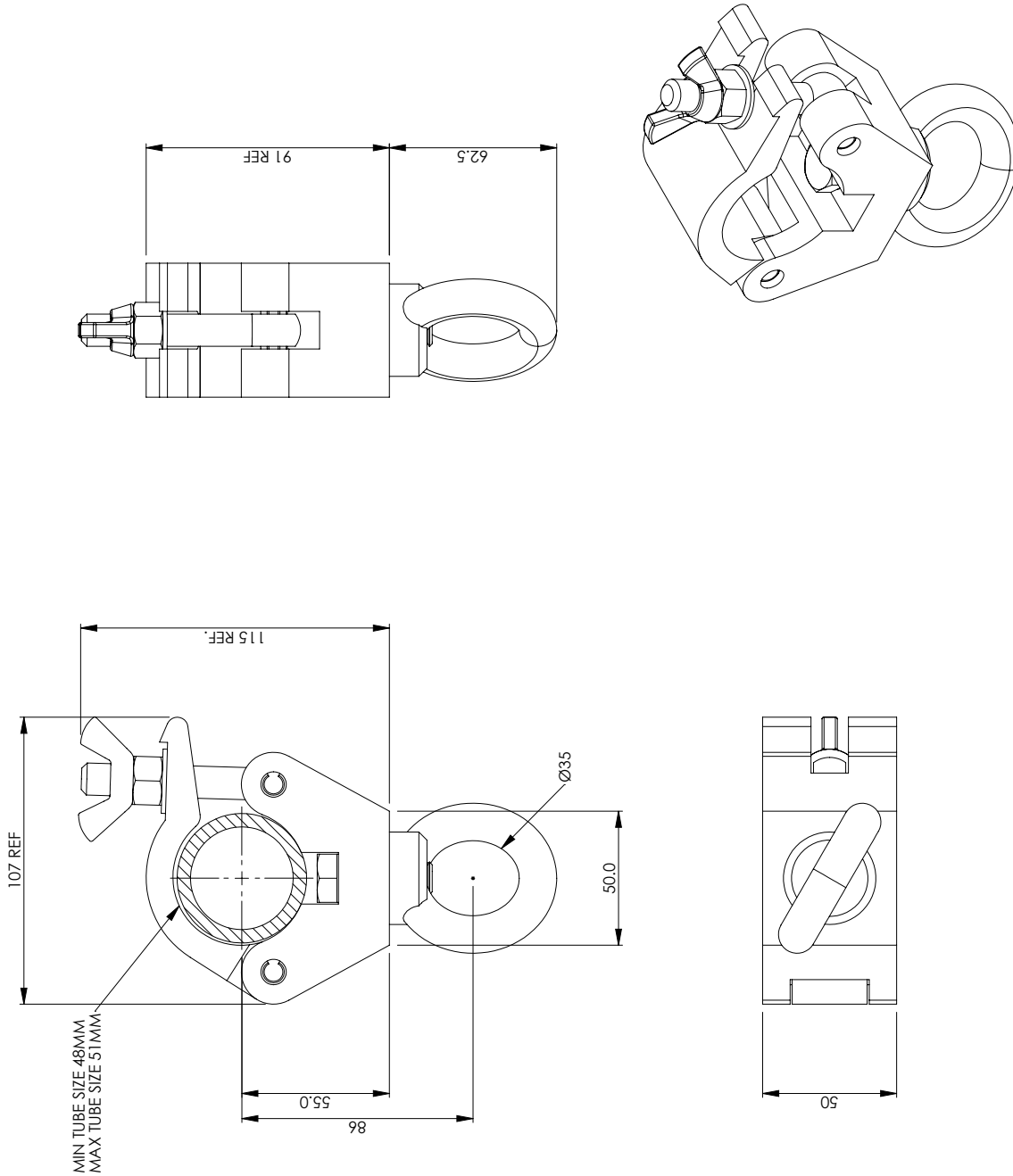
WEIGHT: 0.90 KG

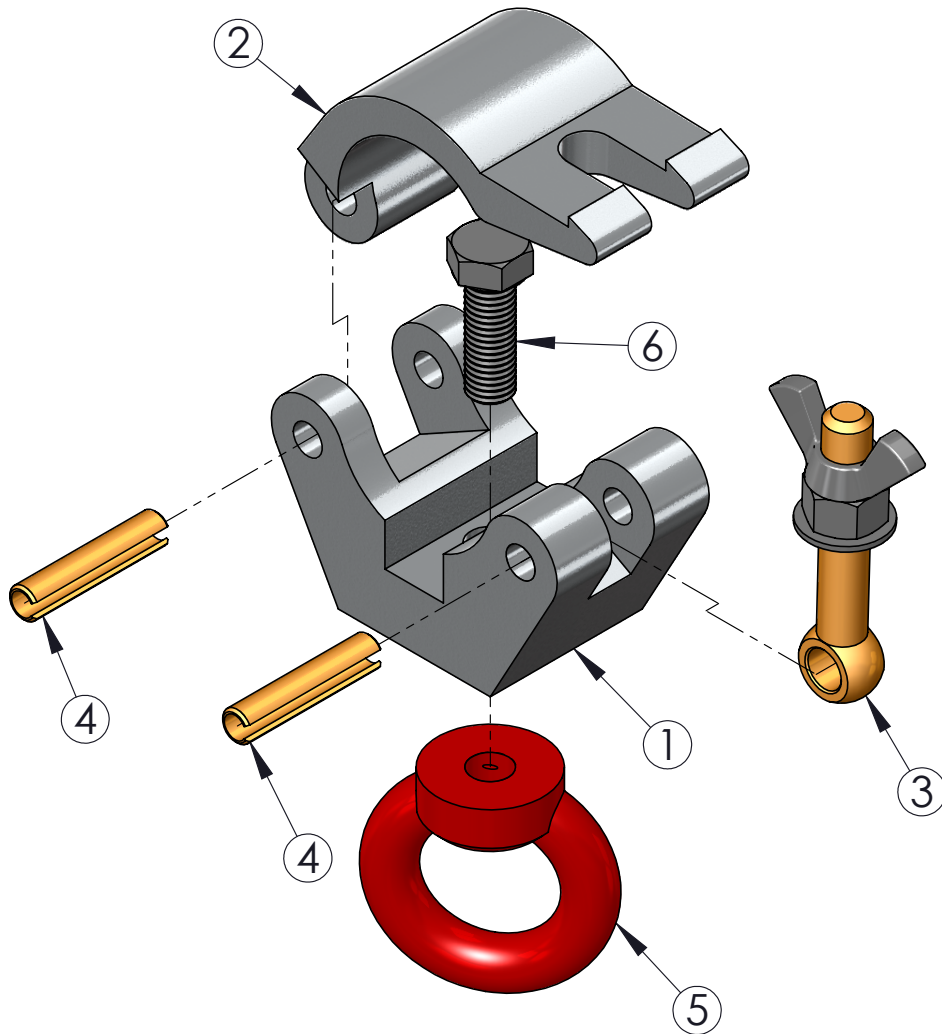
SWL: 500KG

FINISH: T57207 - POLISHED

NOTES:
MIN TUBE SIZE - 48MM
MAX TUBE SIZE - 51MM

STRICTLY FOR REFERENCE PURPOSES ONLY





DOUGHTY PRODUCTS MUST ONLY BE SERVICED / REPAIRED BY
AN AUTHORISED SERVICE AGENT.
SPARE PARTS ARE ONLY AVAILABLE TO THESE AGENTS

| ITEM NO. | PART NUMBER | DESCRIPTION | Spares/QTY. |
|----------|-------------|---|-------------|
| 1 | TH156 | MACHINED DOUGHTY CLAMP BASE | 1 |
| 2 | TH157 | MACHINED DOUGHTY CLAMP TOP | 1 |
| 3 | T78000 | M12 X 70 EYEBOLT | 1 |
| 4 | F790 | 0.375" X 1.75" STAINLESS STEEL ROLL PIN | 2 |
| 5 | T42305 | M12 EYENUT (500Kg SWL) | 1 |
| 6 | F833 | M12 X 35 HEX SET | 1 |

T57207 - DOUGHTY HANGING CLAMP



NOT TO SCALE

| | |
|-------|------------|
| DRAWN | AW |
| DATE | 12/01/2011 |
| Rev | 1 |



Doughty Engineering Limited

CROW ARCH LANE, RINGWOOD, HANTS, BH24 1NZ. ENGLAND

Telephone: +44 (0) 1425 478961 Fax: +44 (0) 1425 474481

www.doughty-engineering.co.uk

email:sales@doughty-engineering.co.uk

EC DECLARATION OF CONFORMITY

Doughty Engineering Limited hereby certify that the equipment stated below has been designed to comply with all relevant sections of the specifications referenced below and complies with all the applicable Essential Requirements of the EC Directives and amendments and the National Laws and Regulations adopting these Directives.

Description: Doughty Standard Hanging Clamp with Ring

Model/s: Part No. T57207

SWL: 500Kg **Factor:** 5:1

are in conformity with the provision of the following EC Directives:

MACHINERY DIRECTIVE 98/37/EC

Harmonised Standards applied:

EN 292-1-2:1991

BS EN ISO 9001:1994

National Technical Standards & Specifications applied:

BS 7905-1:2001

Signed:

A handwritten signature in black ink, appearing to read "Nigel Curtis".

Date:23-04-08

Name: Nigel Curtis

Position: Technical Director

Being the responsible person appointed by the manufacturer.



DEQ 083 Rev 4

Company Registration No. London 972614
Registered Office: Crow Arch Lane, Ringwood, Hants, BH24 1NZ
Directors: M.B.Lister. J.C.G. Chiverton. N.D. Curtis. S.C. Wright





Doughty Engineering Ltd

Crow Arch Lane

Ringwood, Hampshire, BH24 1NZ

Tel: +44 (0) 1425 478961 Fax: +44 (0) 1425 474481

email: sales@doughty-engineering.co.uk

Web: www.doughty-engineering.co.uk

Note: Whilst every effort has been made to ensure that the information contained within this manual is correct, Doughty Engineering does not accept any liability for errors or omissions. Specifications and technical data are intended for guidance purposes only and may vary.