



User Manual

www.doughty-engineering.co.uk

T57205/06

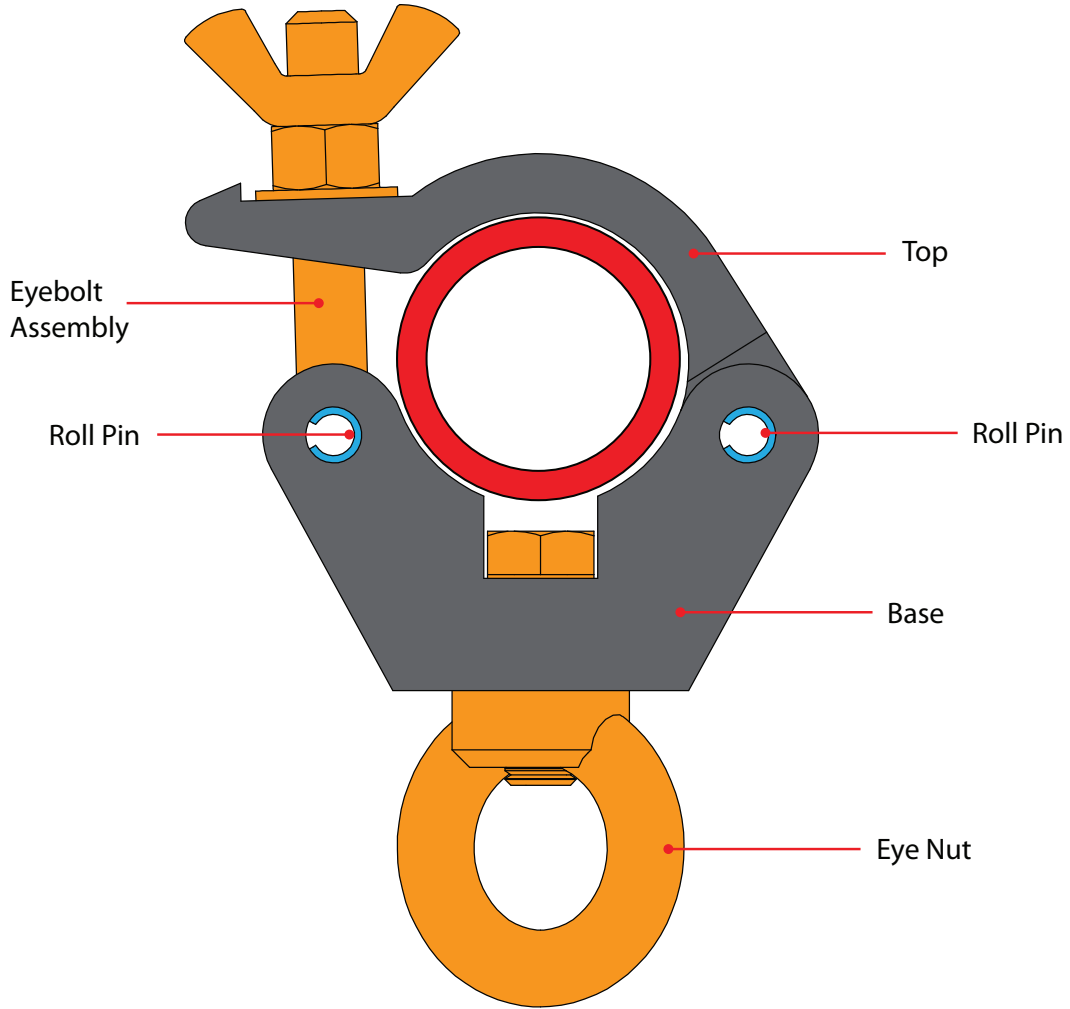
Doughty Standard Hanging Clamp



Version 01/11



www.doughty-engineering.co.uk

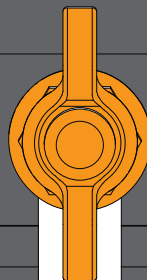


Year of Manufacturer
i.e. - 09 = 2009
10 = 2010
11 = 2011

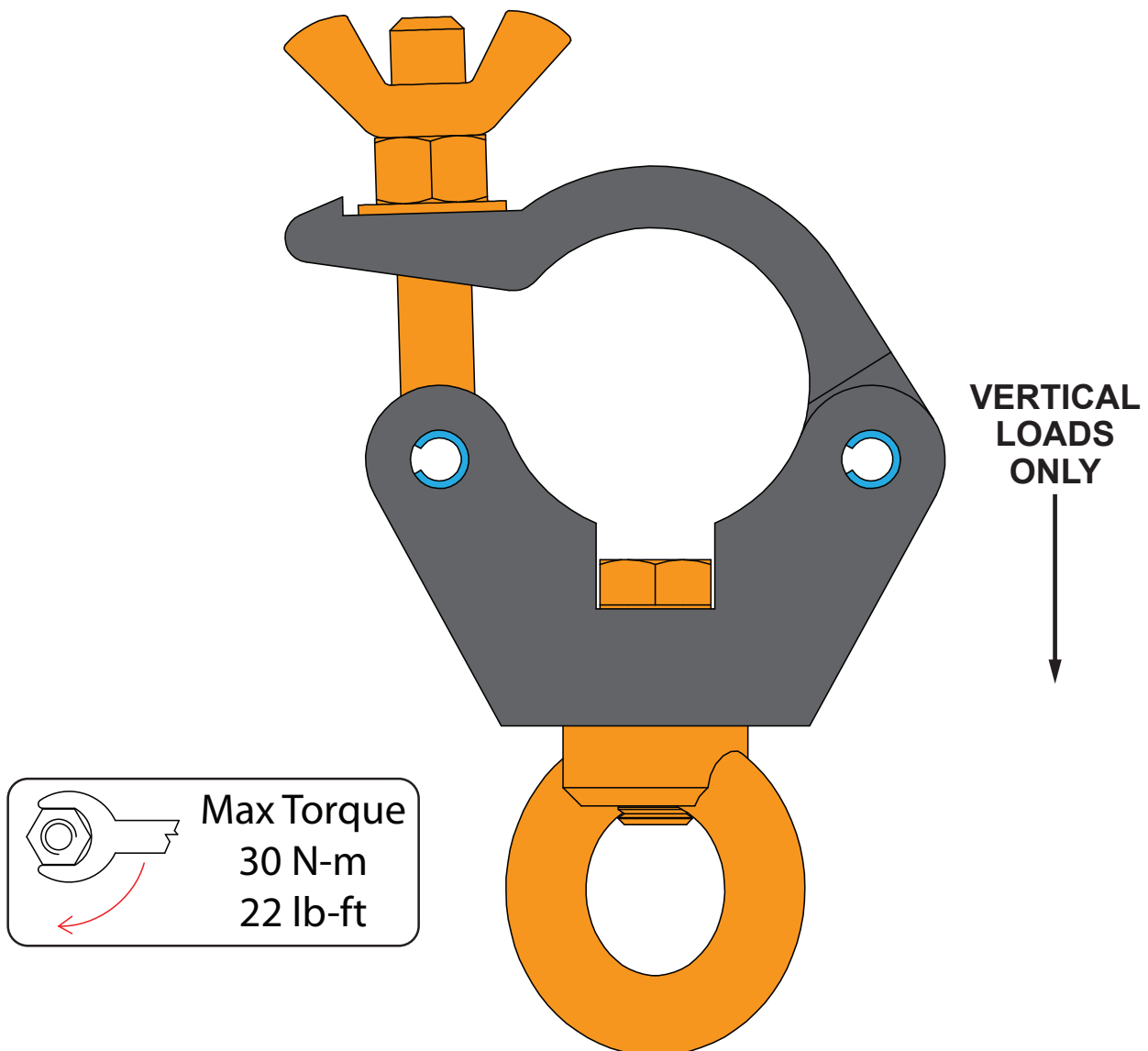
10B
DOUGHTY
SWL 340KG



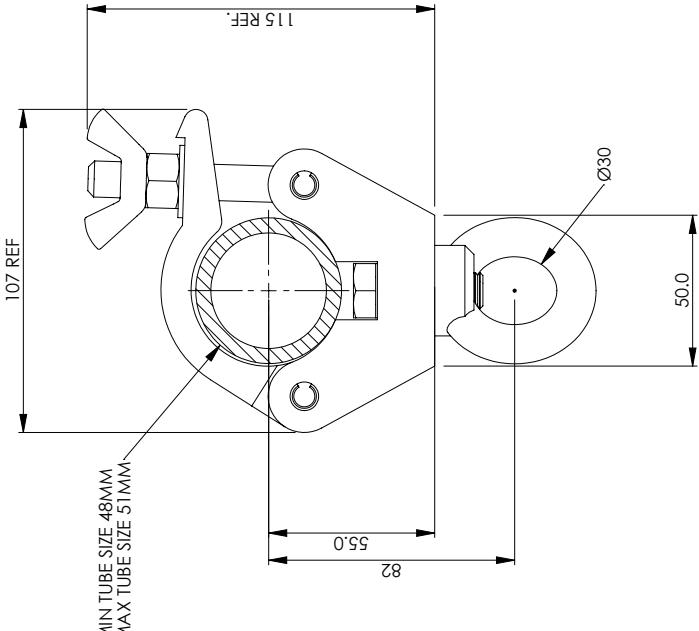
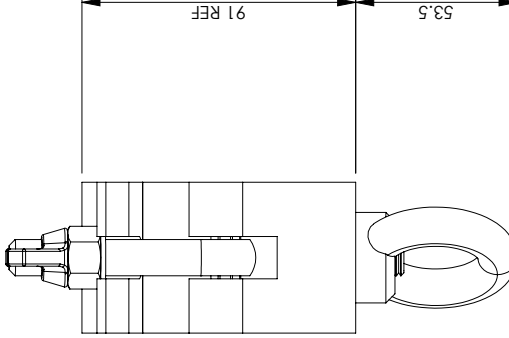
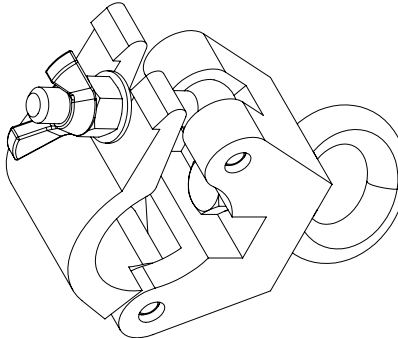
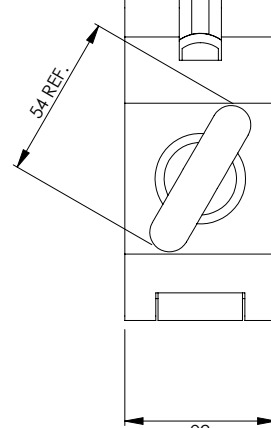
Month of Manufacturer
i.e. - A = Jan
B = Feb
C = March

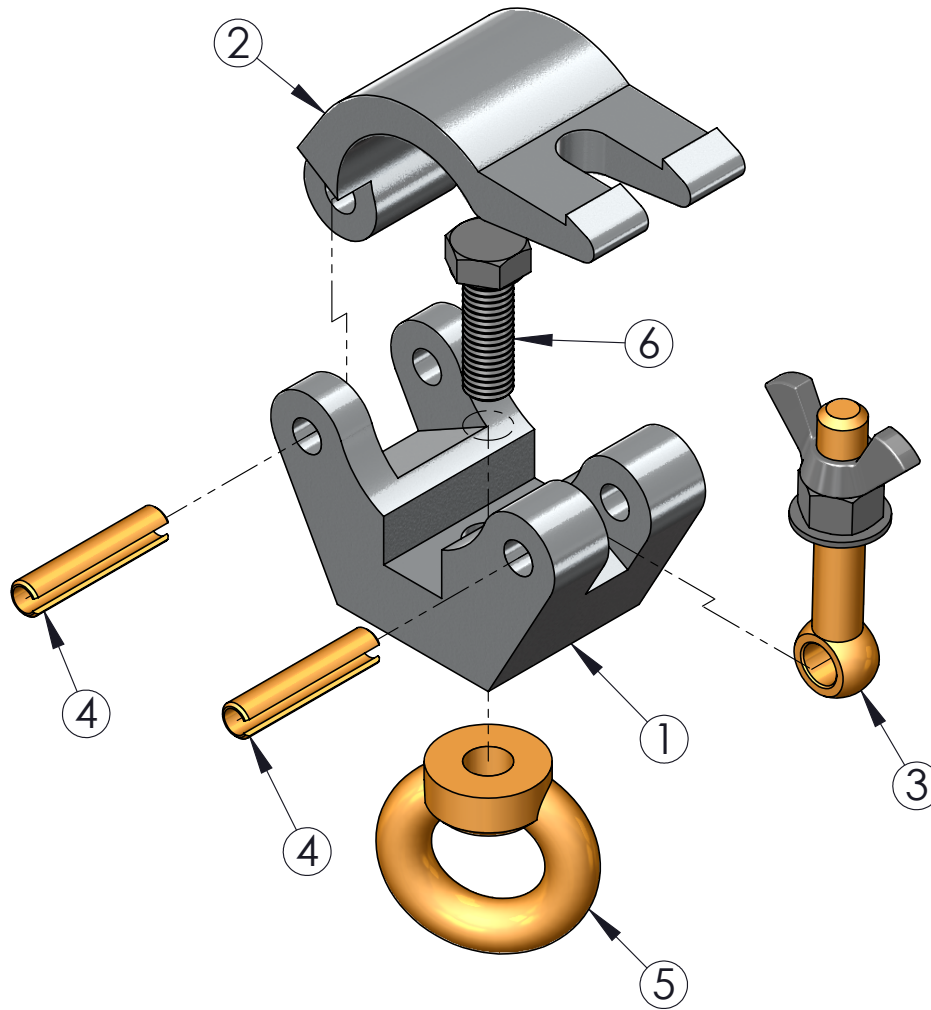
**Safe
Working
Load**



1. Never exceed the Safe Working Load (SWL) shown on the clamp.
2. Only use the clamp within the designed tube parameters (48-51mm)
3. All clamps should be visually inspected before use. In the event of any damage the clamp should be taken out of service and returned to an 'Approved Doughty Service Agent' for inspection. (see our dealer locator on our web site for a comprehensive list of Authorised Service Agents)
4. When used in conjunction with other accessories, care must be taken to ensure that the minimum SWL of any component is not exceeded.
5. Doughty Engineering Ltd does not recommend using any clamps which do not fully encompass the tube for overhanging. All open clamps including hookclamps should be used in a vertical orientation only.



 DOUGHTY ENGINEERING LTD	<h2 style="text-align: center;">DATA SHEET</h2>	TITLE: DOUGHTY HANGING CLAMP	PART NOS: T57205 - POLISHED T57206 - BLACK	MATERIAL :	WEIGHT: 0.84 KG	SWL: 340KG	FINISH: T57205 - POLISHED T57206 - POWDER PAINTED BLACK	NOTES: MIN TUBE SIZE - 48MM MAX TUBE SIZE - 51MM	<p style="text-align: center;">STRICTLY FOR REFERENCE PURPOSES ONLY</p>	 THIRD ANGLE PROJECTION
<div style="display: flex; justify-content: space-around;"> <div style="text-align: center;">  <p>MIN TUBE SIZE 48MM MAX TUBE SIZE 51MM</p> </div> <div style="text-align: center;">  </div> <div style="text-align: center;">  </div> <div style="text-align: center;">  </div> </div>										



DOUGHTY PRODUCTS MUST ONLY BE SERVICED / REPAIRED BY
AN AUTHORISED SERVICE AGENT.
SPARE PARTS ARE ONLY AVAILABLE TO THESE AGENTS

ITEM NO.	PART NUMBER	DESCRIPTION	Spares/QTY.
1	TH156	MACHINED DOUGHTY CLAMP BASE	1
2	TH157	MACHINED DOUGHTY CLAMP TOP	1
3	T78000	M12 X 70 EYEBOLT	1
4	F790	0.375" X 1.75" STAINLESS STEEL ROLL PIN	2
5	T42300	M12 EYENUT (340Kg SWL)	1
6	F833	M12 X 35 HEX SET	1

T57205 - DOUGHTY
HANGING CLAMP



NOT TO SCALE

DRAWN	AW
DATE	12/01/2011
Rev	1



Doughty Engineering Limited

CROW ARCH LANE, RINGWOOD, HANTS, BH24 1NZ. ENGLAND
Telephone: +44 (0) 1425 478961 Fax: +44 (0) 1425 474481
www.doughty-engineering.co.uk
email:sales@doughty-engineering.co.uk

EC DECLARATION OF CONFORMITY

Doughty Engineering Limited hereby certify that the equipment stated below has been designed to comply with all relevant sections of the specifications referenced below and complies with all the applicable Essential Requirements of the EC Directives and amendments and the National Laws and Regulations adopting these Directives.

Description: Doughty Standard Hanging Clamp with Ring

Model/s: Part No. T57205 / T57206

SWL: 340Kg **Factor:** 5:1

are in conformity with the provision of the following EC Directives:

MACHINERY DIRECTIVE 98/37/EC

Harmonised Standards applied:

EN 292-1-2:1991

BS EN ISO 9001:1994

National Technical Standards & Specifications applied:

BS 7905-1:2001

Signed:  Date:23-04-08

Name: Nigel Curtis Position: Technical Director

Being the responsible person appointed by the manufacturer.



DEQ 083 Rev 4

Company Registration No. London 972614
Registered Office: Crow Arch Lane, Ringwood, Hants, BH24 1NZ
Directors: M.B.Lister. J.C.G. Chiverton. N.D. Curtis. S.C. Wright





Doughty Engineering Ltd

Crow Arch Lane

Ringwood, Hampshire, BH24 1NZ

Tel: +44 (0) 1425 478961 Fax: +44 (0) 1425 474481

email: sales@doughty-engineering.co.uk

Web: www.doughty-engineering.co.uk

Note: Whilst every effort has been made to ensure that the information contained within this manual is correct, Doughty Engineering does not accept any liability for errors or omissions. Specifications and technical data are intended for guidance purposes only and may vary.